



Thermal Inkjet

Videojet® 8510

The Videojet 8510 inkjet printer offers an impressive combination of functionality and simplicity in one, compact design.

Designed to address the needs of industrial users, the Videojet 8510 is the ideal coding and marking solution for a range of primary and secondary marking applications. The 8510 thermal inkjet (TIJ) printer features a large touchscreen interface for easy operation, as well as provides a common look and feel to those familiar with Videojet's CLARiTY®-based printers. From basic alphanumeric codes to complex bar codes and graphics, the 8510 has the capability to print a wide range of codes on fast production lines.



Uptime Advantage

- Extensive communications protocol ideal for remote control and secondary applications
- Solid-state electronics with no moving parts
- No wear items or replacement parts outside of inkjet cartridge replacement
- Clean, no -mess operation

Built in Productivity

- High resolution print (up to 600 dpi) suitable for high quality small and large font codes
- Wide range of primary and secondary packaging bar codes
- Can drive up to four printheads independently or together

Code Assurance

- Template creation software with rules-based message fields
- Color touch screen with WYSIWYG image display to reduce set-up errors
- Optional USB scanner for message selection

Simple Usability

- Intuitive, graphical user interface with easy to learn icon-based controls
- All common operations accessed in five or fewer touches
- Four printhead designs to aid packaging line integration

Videojet® 8510

Thermal Inkjet

Line Speed / Resolution Capability

Maximum resolution of 600x600 dpi
5-250fpm (1.5-75mpm) at 600x240 dpi
Higher line speeds are possible at lower horizontal print resolutions

Printing Capabilities

Full downloadable font support using TrueType® fonts
Fixed, variable and merged text fields
Flexible date/time and shift code formats
Auto best before date calculations
Auto incrementing/decrementing text and counters
Multiple graphic formats supported (up to maximum print area)

Bar Codes

EAN8, EAN13, UPC-A/E, CODE 39, CODE128, EAN128, GS1 DataBar (including 2D composite), DataMatrix, QR, PDF417

Print Cartridge

Maximum of four 12.7mm tall, 600 dpi print cartridges (stacked/stitched or deployed independently)

Display

8.4-inch TFT SVGA (800x800) full-color LCD and touch screen
WYSIWYG print preview
Full on-board diagnostics
Three levels of password protection or advanced configurable password protection
Extensive language support (22 in total)

Data Interface

RS232, Ethernet, USB memory stick support, Text Communications Protocols

Controller Dimensions

9.6" (244mm) long
3.6" (92mm) wide
6.7" (170mm) high
Dimensions exclude printhead, accessory cables and power supply connections

Printhead Dimensions

Four printhead options are available with different dimensions to meet line integration requirements. The following dimensions are for the Standard Blue printhead:
4.5" (115 mm) long
4.3" (110 mm) high
2.4" (60 mm) wide (at rub plate)
Dimensions exclude cartridge and cable connections
Red, Green, and Gold printhead dimensions vary in length and height from Blue printhead

Temperature Range

41°F to 113°F (5°C to 45°C)

Electrical Requirements

100-240 VAC 50/60Hz

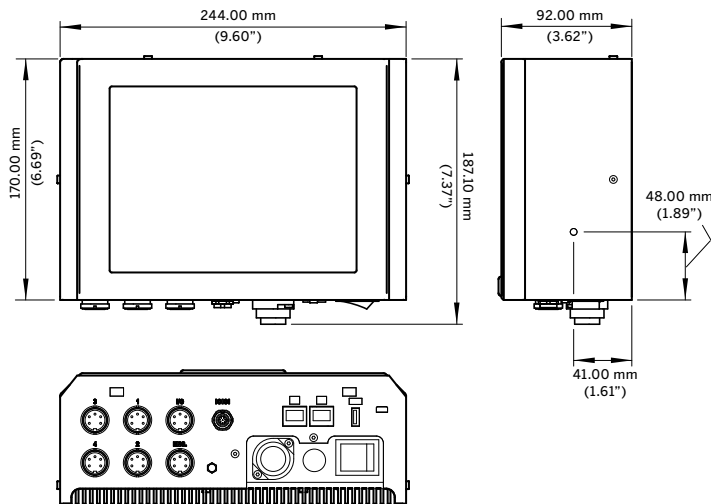
Approximate Weight (Controller)

7.0lbs (3.2kgs)

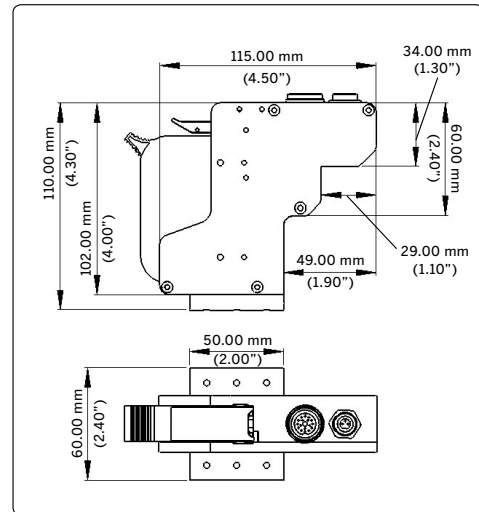
CERTIFIED
ISO 9001
DOCUMENTED QUALITY



Controller



Standard Blue Printhead



Call **+47 9041 8340**
Email **post.no@videojet.com**
or visit **www.videojet.no**

Videojet Technologies Norway
Kirkegårdsveien 45
3616 Kongsberg

© 2016 Videojet Technologies Inc. — All rights reserved.

Videojet Technologies Inc.'s policy is one of continued product improvement. We reserve the right to alter design and/or specifications without notice. TrueType is a registered trademark of Apple Computer, Inc.

Part No. SL000537
ss-8510-en-no-0216

